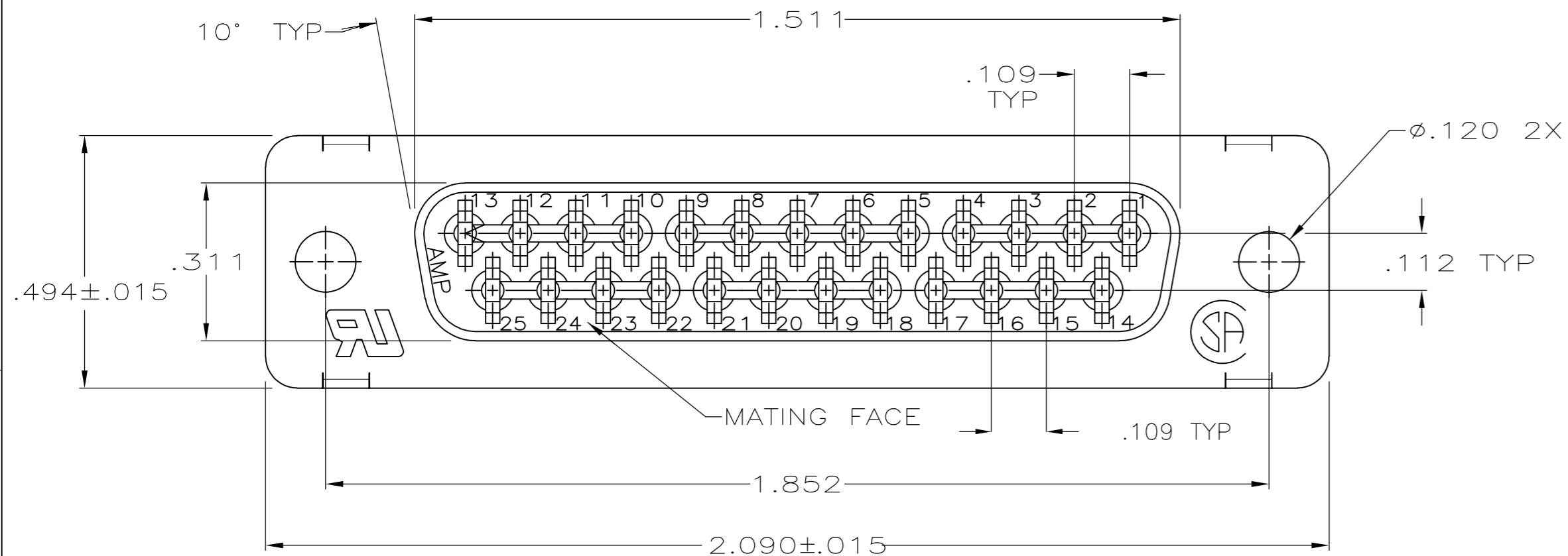
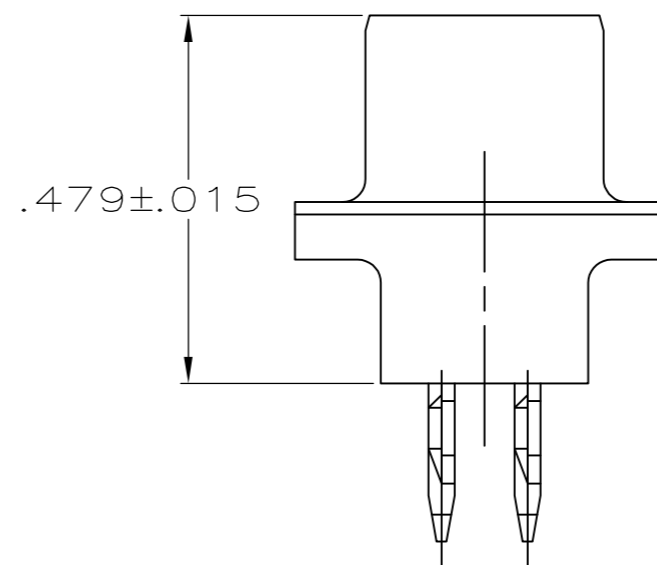
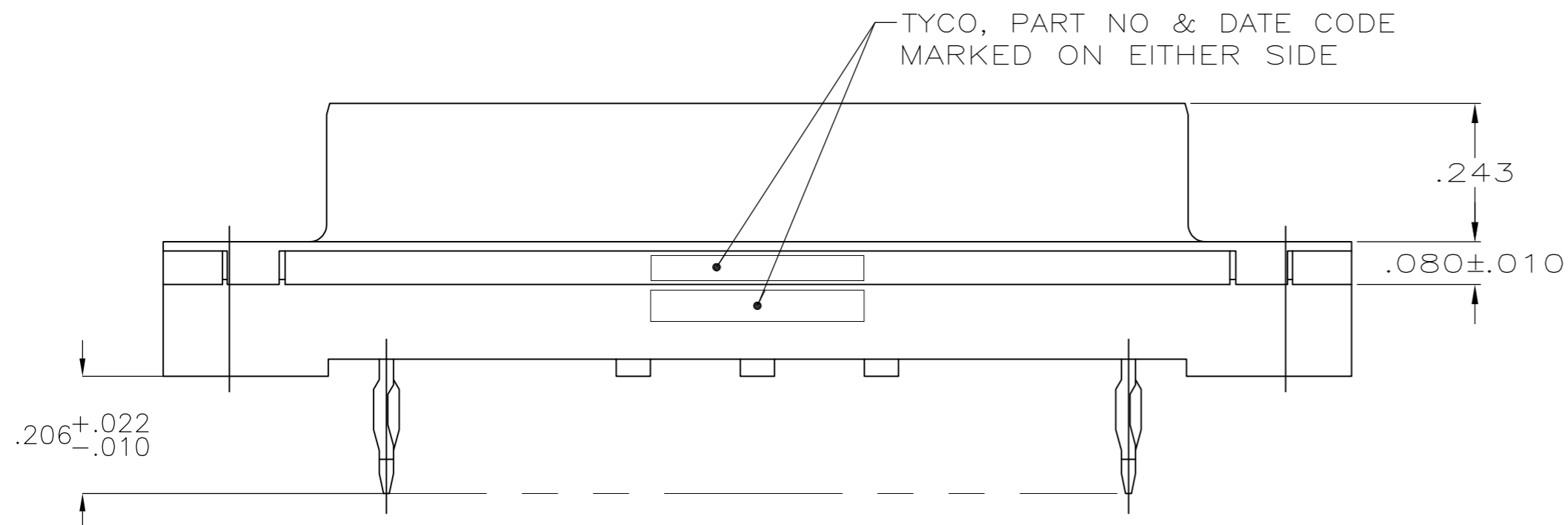


THIS DRAWING IS UNPUBLISHED. RELEASED FOR PUBLICATION
 © COPYRIGHT 2006 By - ALL RIGHTS RESERVED.

LOC	DIST	REVISIONS					
GP	00	P	LTR	DESCRIPTION	DATE	DWN	APVD
		C		REVISED PER ECO-12-000090	26JAN2012	CJV	SLB



- 1 FOR USE WITH .093 MINIMUM THICK PRINTED CIRCUIT BOARD REFER TO APPLICATION SPECIFICATION FOR PRINTED CIRCUIT BOARD LAYOUT DIMENSIONS AND FINISH RECOMMENDATIONS.
- 2 MATERIAL:
HOUSING: GLASS-FILLED NYLON OR POLYESTER, UL94V-0 RATED
COLOR: BLACK.
CONTACTS: COPPER ALLOY
SHELL: CARBON STEEL.
- 3 SHELL: .000200 MIN TIN OVER .000100 MIN COPPER.
- 4 CONTACTS:
0.76 MICROMETERS [.000030]MIN GOLD IN MATING AREA.
2.54 MICROMETERS [.000100]MIN TIN ON COMPLIANT PIN.
ALL OVER 1.27 MICROMETERS [.000050]MIN NICKEL.
OR
GOLD FLASH OVER PALLADIUM NICKEL.
0.76 MICROMETERS [.000030]MIN TOTAL IN MATING AREA.
2.54 MICROMETERS [.000100]MIN TIN ON COMPLIANT PIN.
ALL OVER 1.27 MICROMETERS [.000050]MIN NICKEL.



5745922-2
PART NUMBER

THIS DRAWING IS A CONTROLLED DOCUMENT. DIMENSIONING AND TOLERANCING PER ASME Y14.5M-2009		DWN G.PETERS/DTI 06MAR06				
TOLERANCES UNLESS OTHERWISE SPECIFIED:		CHK S.BOLASH 06MAR06				
DIMENSIONS: INCHES	0 PLC ± - 1 PLC ± - 2 PLC ± .005 3 PLC ± - 4 PLC ± - ANGLES ± -	APVD M.WALMSLEY 06MAR06	NAME			
		PRODUCT SPEC 108-40014	RECEPTACLE ASSEMBLY, ACTION-PIN, 25 POSITION, HD-20, AMPLIMITE			
MATERIAL	FINISH	APPLICATION SPEC 114-40026 1	SIZE A2	CAGE CODE 00779	DRAWING NO C=5745922	RESTRICTED TO -
		WEIGHT -	SCALE 4:1	SHEET 1 of 1	REV C	
		CUSTOMER DRAWING				